

DORO® Multi-Purpose Skull Clamp



One Skull Clamp - multiple possibilities

The DORO® Multi-Purpose Skull Clamp is a mechanical support system which is used in head and neck surgery. This system allows the patient's head to be positioned and secured during the operation. It can be used for cranial fixation of the patient in diverse positions.

By adapting the DORO Multi-Purpose Skull Clamp to the QR3 format, all the beneficial features of this state-of-the-art skull clamp design become available for this series.

Special interfaces and a head support offer the possibility to attach both, skull pins and/or gel pads. This modularity allows rigid fixation with 3 or 4 skull pins or and non-invasive positioning with up to 3 gel pads. The use of 4 skull pins reduces the pressure of the individual skull pin which may be highly advantageous in pediatric applications. The system can also be used with the Extension Assembly 90N/20lbs, item-no. 3020-52, providing a torque screw with lower pin pressure for pediatric applications.



Features

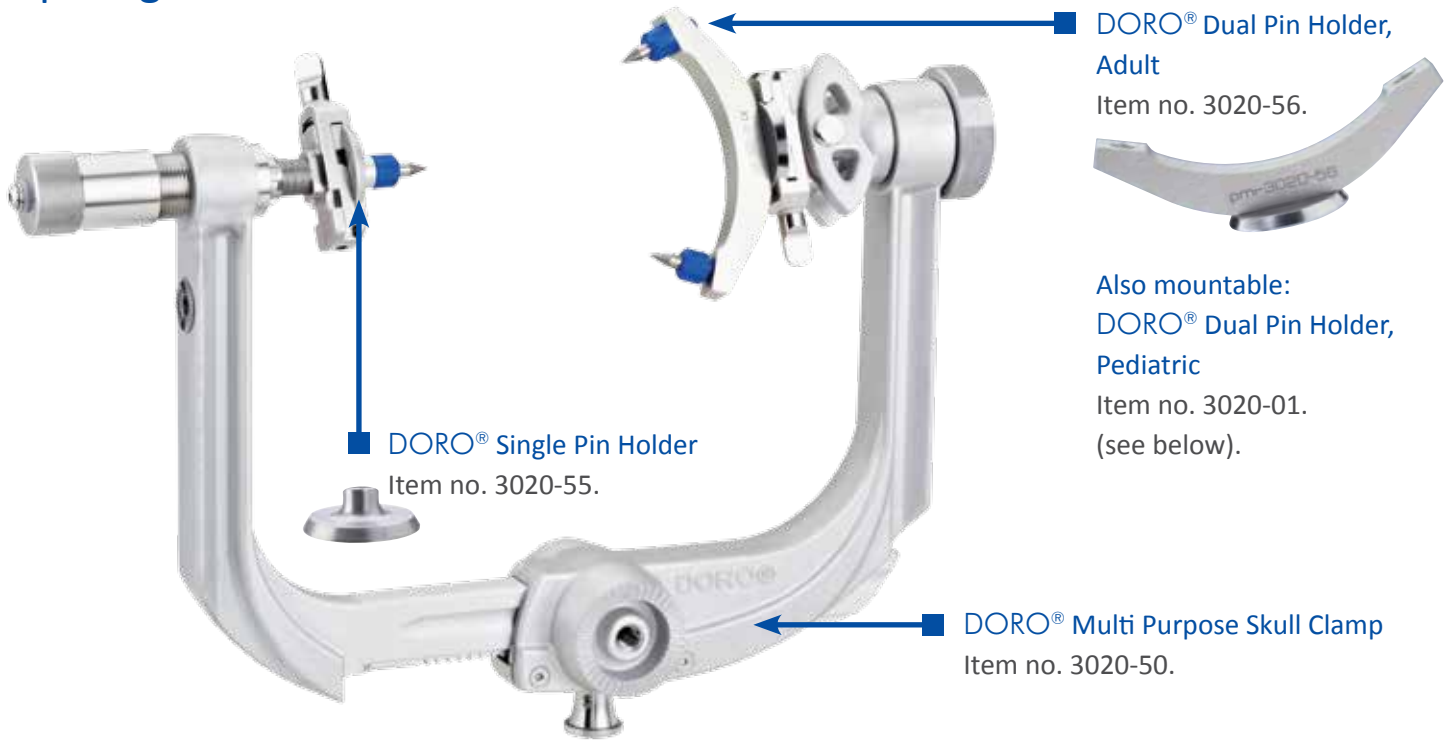
- New QR3 Quick-Rail® technology for quick connection of accessories like the new DORO LUNA® Retractor System as well as Retractor Arms, J-Arms and Halo Retractor Systems.
- Interchangeable with quick-change options: Pin Holders, Gel Ear Rings, Gel Head Rings and adjustable Trio Gel Pad.
- Two torque screw options: 360N/80lbs and 90N/20lbs.
- Provides 3- or 4-pin fixation or non-invasive gel pad cranial positioning.
- Suitable for pediatric applications.
- Navigation ready.
- Easy to set-up and use.
- PMT Cervical Traction Halo System Holder available.



Item no. 1002.067.

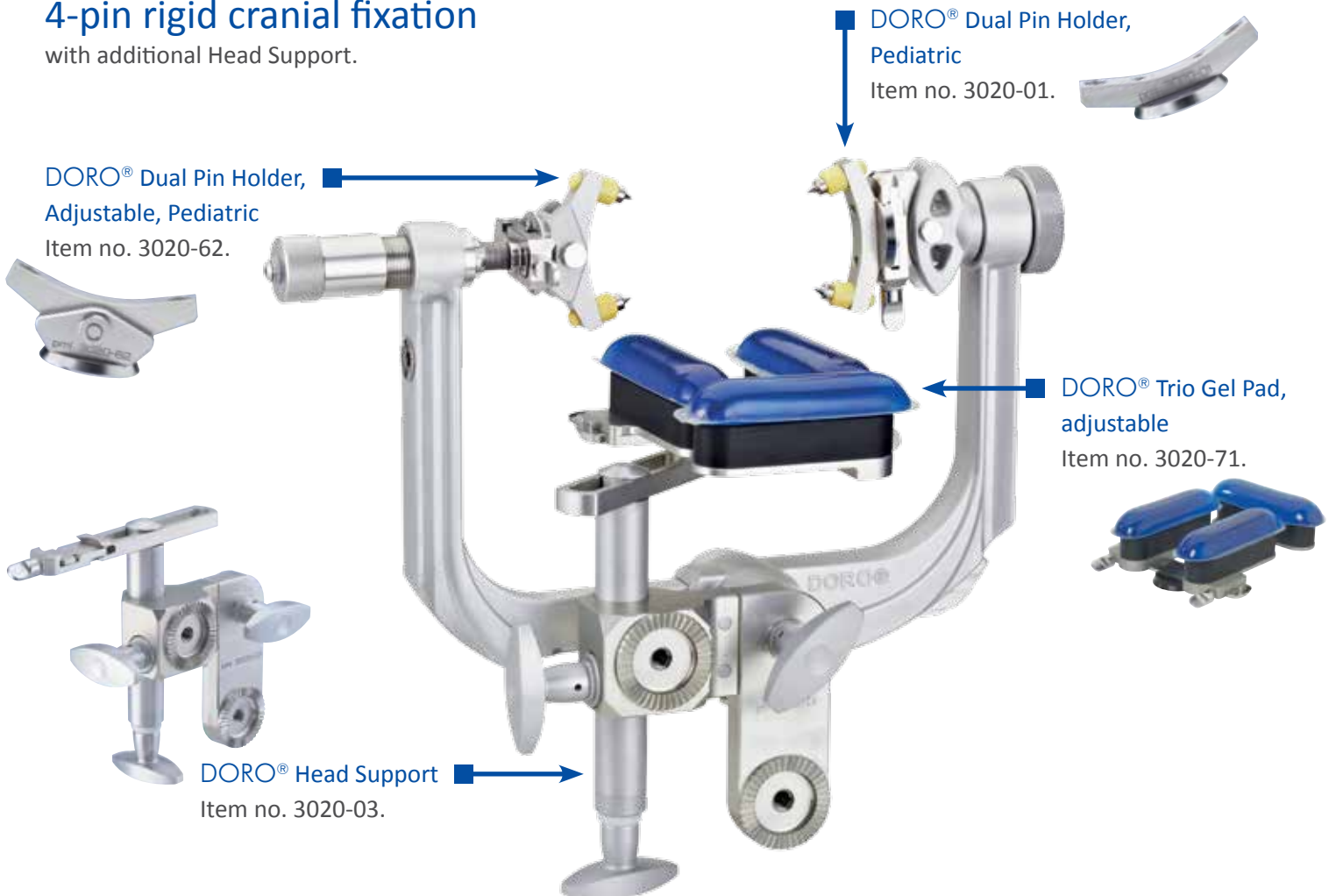
DORO®
QR3 MP Skull Clamp

3-pin rigid cranial fixation



4-pin rigid cranial fixation

with additional Head Support.



Non-invasive fixation



Also mountable:  DORO® Extension bar
90N/20lbs
Item no. 3020-52.

DORO® Gel Ear Ring,
Open
140mm, item no. 3020-70.
90mm, item no. 3020-68.

Also mountable:
DORO® Gel Head Ring
140mm, item no. 3020-63.
90mm, item no. 3020-61.

DORO® Gel Head Ring
140mm, item no. 3020-63.
90mm, item no. 3020-61.

Also mountable:
DORO® Trio Gel Pad,
adjustable
Item no. 3020-71
(see page 3 and cover).

DORO® Head Support
Item no. 3020-03.

All DORO® Multi-Purpose
Skull Clamp Systems come
in a solid storage box.

Item no. 3020-001.

Headquarters Germany

pro med instruments GmbH | Bötzingen Straße 38 | 79111 Freiburg, Germany
Phone +49 761 384 222 10 | E-mail pmi@pmisurgical.com

Version 01 © 2014 pro med instruments GmbH, Freiburg, Germany. All rights reserved.

The information has been compiled with utmost care. Errors can, however, not be excluded. Errors do not entitle to any legal claims.
We reserve the right to modify the products at any time. Teflon® is a registered trademark of DuPont de Nemours GmbH.

US Subsidiary

pro med instruments, Inc. | 4529 S.E. 16th Place, Suite 101 | Cape Coral, FL 33904
Toll Free 877 225 4086 | E-mail pmi.us@pmisurgical.com